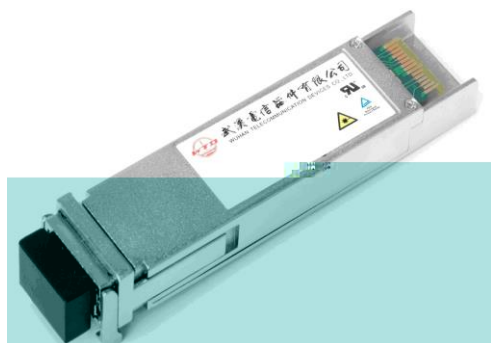


10Gbps XFP Optical Transceiver RTX226-480



The RTX226-480 is a hot pluggable 10Gbps small-form-factor transceiver module integrated with the high performance cooled 1550nm EML transmitter and high sensitivity APD receiver. It is compliant to INF-8077i XFP Multi-source Agreement(MSA). The module is a multirate optical transceiver, intended to support Telecom and Datacom applications.

Features

- Data rate from 9.95 Gbps to 11.3Gbps
- 1550nm EML TOSA and APD ROSA
- Industry-standard, protocol-independent, XFI interface
- Transmission distance up to 80km
- LC duplex receptacle package
- Hot pluggable
- Built in digital diagnostic functions
- Operating case temperature range:-5°C~70°C
- RoHS compliant

Applications

- SONET OC-192&SDH STM 64
- 10G Base-ZR
- 10Gigabit Fiber Channel

Standards

- XFP MSA (INF-8077i)
- IEEE802.3ae
- ITU-T G.691

Specifications

(Tested under recommended operating conditions, unless otherwise noted)

Parameter	Symbol	Unit	Value		
			Min	Typ	Max
Optical Transmitter Characteristics					
Data Rate	-	Gbps	9.95	-	11.3
Optical Power	P ₀	dBm	0	-	4
Center Wavelength Range	c	nm	1530	1550	1565
Extinction Ratio	ER	dB	9	-	-
Spectral Width (-20dB)		nm	-	-	0.4
SMSR	-	dB	30	-	-
Relative Intensity Noise	RIN	dB/Hz	-	-	-128
Eye Diagram	Compliant with ITU-T G.691				
Dispersion Penalty ¹	-	dB	-	-	2
Optical Receiver Characteristics					
Data Rate	-	Gbps	9.95	-	11.3
Center Wavelength Range	c	nm	1260	-	1600
Receiver Sensitivity ²	S	dBm	-	-	-24
Overload Input Optical Power	-	dBm	-7	-	-
Receiver Reflectance	-	dB	-	-	-30
LOS	Optical Dessert	-	-	-	-27
	Optical Assert	-	-37	-	-
LOS Hysteresis	-	dB	0.5	-	6
Note1: 80KmSMF,9.95Gbps					
Note2:Ber<10 ⁻¹² ,2 ³¹ -1 PRBS NRZ,1550nm,ER=9dB					

10Gbps XFP Optical Transceiver RTX226-480

Ordering Information

Absolute Maximum Ratings 30 TTJ90TQ502.68 609.34 35271591752 re05 4

Parameter	Symbol	Unit	Min	Max
-----------	--------	------	-----	-----

10Gbps XFP Optical Transceiver RTX226-480

Low Speed Electrical Interface

Parameter

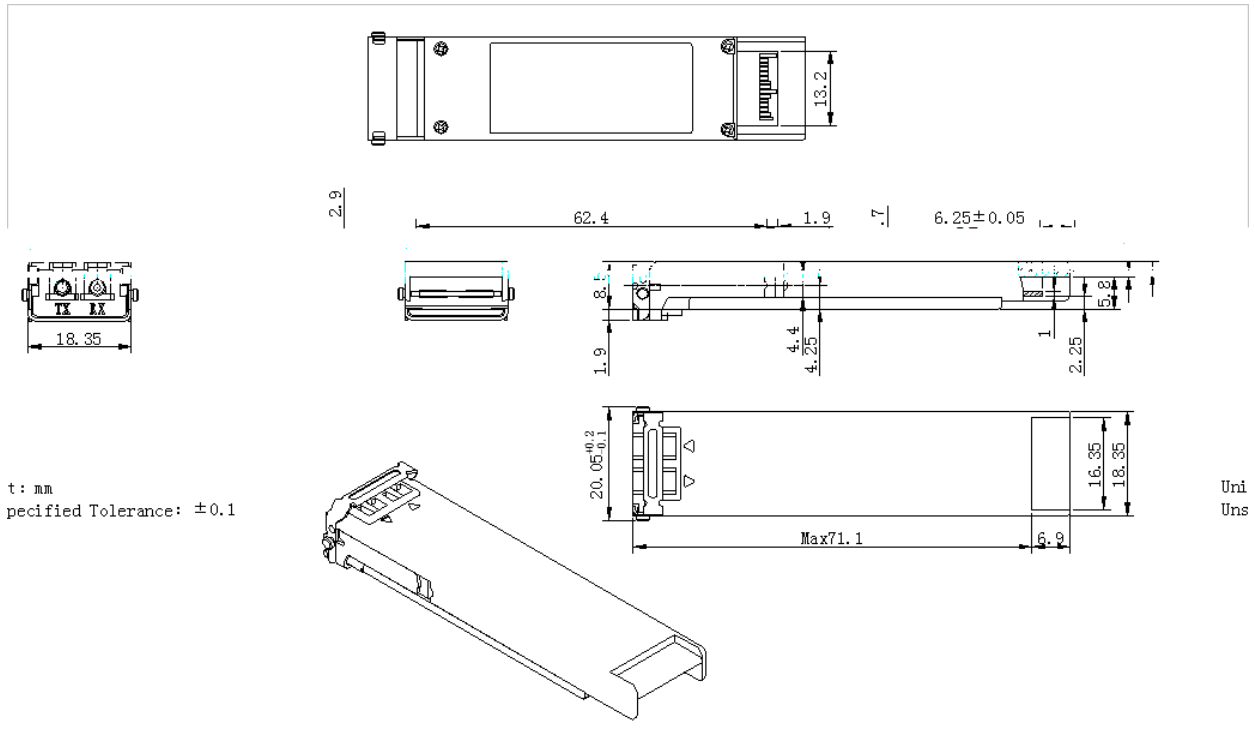
10Gbps XFP Optical Transceiver RTX226-480

Pin	Logic	Symbol	Name/Description	Note
1		GND	Module Ground	1
2		VEE5	Optional -5.2V Power Supply (Not Required)	
3	LVTTTL-I	Mod_DeSel	Module De-select; When held low allows module to respond to 2-wire serial interface	
4	LVTTTL-O	Interrupt	Interrupt; Indicates presence of an important condition which can be read over the 2-wire serial interface	2
5	LVTTTL-I	TX_DIS	Transmitter Disable; Turns off transmitter laser output	
6		VCC5	+5V Power Supply	
7		GND	Module Ground	1
8		VCC3	+3.3V Power Supply	
9		VCC3	+3.3V Power Supply	
10	I/O	SCL	2	

10Gbps

10Gbps XFP Optical Transceiver RTX226-480

Package Outline



Regulatory Compliance

Feature