



Description

RTXM330-201 is a 1310nm DFB based 25Gigabit SFP28 transceiver. It is designed to transmit and receive optical data up to 10km over singlemode fiber . The Transceiver is compliant with SFF-8472, SFF-8402, SFF-8432

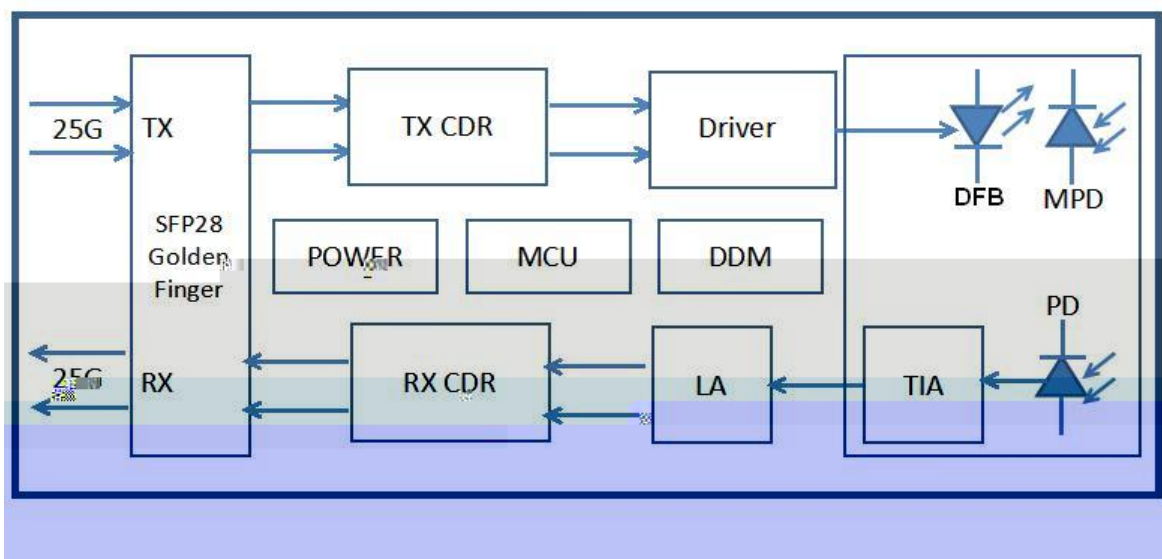


Optical Transmitter/Receiver Characteristics

(tested under recommended operating conditions, unless otherwise noted)

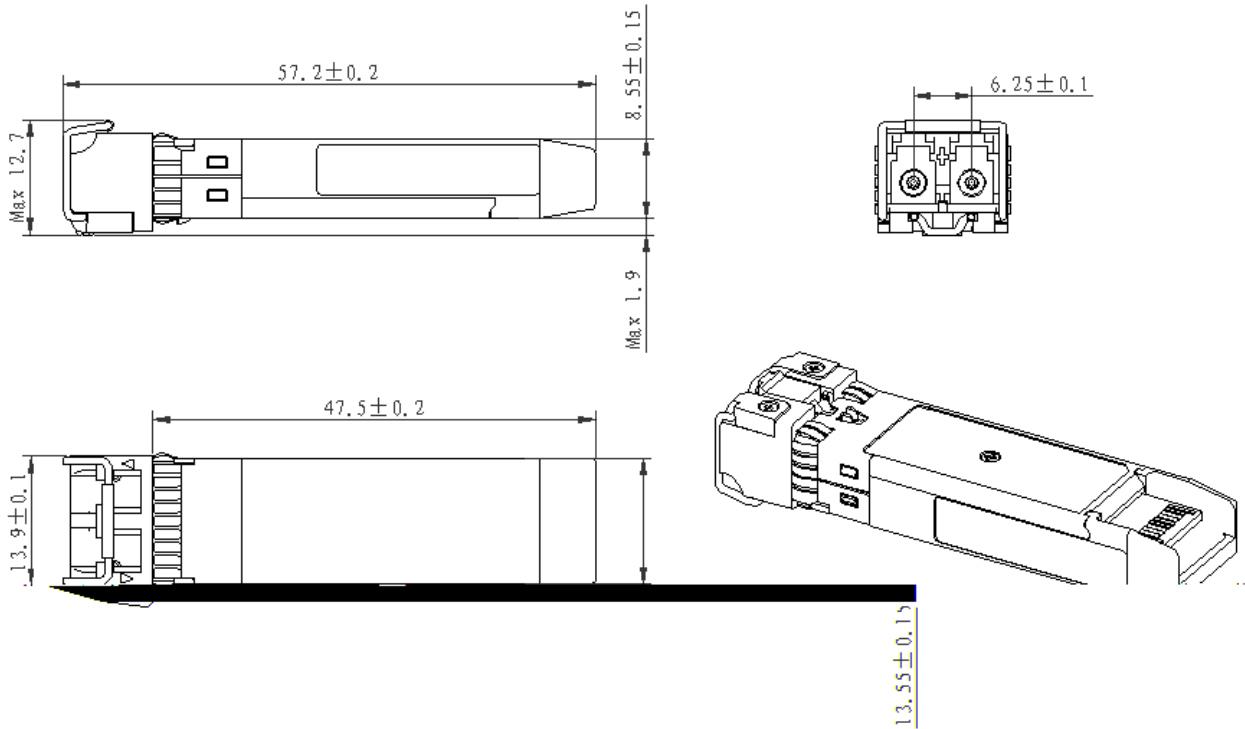
Parameter	Symbol	Unit	Min	Typ	Max	Note
Transmitter						
Nominal Wavelength		nm	1295	1310	1325	
Side Mode Suppression Ratio	SMSR	dB	30			
Optical Modulation Amplitude	POMA	dBm	-4			
Optical Output Power	P _{av}	dBm	-4.5		2	
Extinction Ratio	ER	dB	3.5			
Transmitter and Dispersion Penalty	TDP	dB			2.7	
Average launch power of OFF transmitter	P _{OFF}	dBm				

Diagram





Package Outline



Regulatory Compliance

Feature	Test Method	Performance

Revision History

Rev.	Date	Page	Description	Note
1.0	5/10/2017		The first released version	