

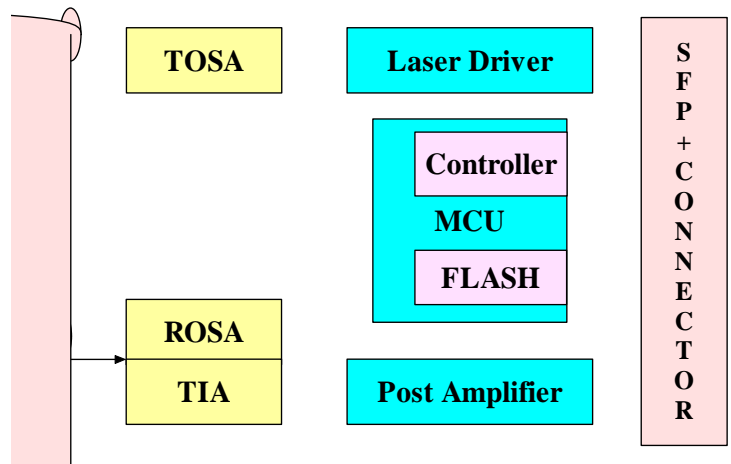
6.144Gigabit 850nm VCSEL 6.144Gb/s OM3
 300 . FC-PI-4, OBSAI or CPRI SFF-8431 SFF-8432 .
 I2C SFF-8472.

SFP+
 RoHS
 50µm OM3 MMF 300
 850nm VCSEL
 LC
 20
 1.0
 -40 ~ 85
 +3.3V±5%
 SFF-8472

OBSAI rates 6.144Gb/s, 3.072 Gb/s CPRI rates 4.9152 Gb/s, 2.4576 Gb/s

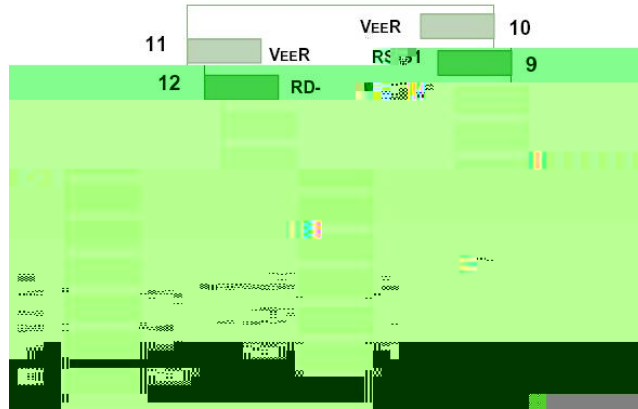
SFF-8431
 SFF-8472
 SFF-8432

						(OMA)	(OM3)			
RTXM228-6			850nm	-8.23~						6.144Gb/s
10	SFP+	6.144 Gb/s	VCSEL	-1.0dBm	PIN	-11.5dBm	-40~85 °C	300m	DDM	6.25Gb/s



		dB	12
LOS Assert	LOS _A	dBm	-30
LOS De-Assert	LOS _D	dBm	-14
LOS		dB	0.5

NOTE 1: Equivalent extinction ratio specification for Fiber Channel



Electromagnetic Interference (EMI)	CISPR22 ITE Class B EN55022 Class B FCC Class B	Compliant with standards
Immunity	IEC61000-4-3 Class 2 EN55024	Typically show no measurable effect from a 3V/m field swept from 80 to 1000MHz applied to the transceiver without a chassis enclosure.
RoHS Compliance		Less than 1000 ppm of cadmium, lead, mercury, hexavalent chromium, polybrominated biphenyls, and polybrominated biphenyl ethers.

